

Capacity	Accuracy	Part-Number
0.5 t	C3 <sup>2</sup>	BM14C-C3-0,5t-15B(-SC)
1 t	C3 <sup>2</sup>	BM14C-C3-1t-15B(-SC)
2 t	C3 <sup>2</sup>	BM14C-C3-2t-15B(-SC)
3 t	C3 <sup>2</sup>	BM14C-C3-3t-15B(-SC)
5 t	C3 <sup>2</sup>	BM14C-C3-5t-15B(-SC)
10 t	C3 & C4	BM14C-Cx-10t-15B(-SC)
20 t	C3 & C4	BM14C-Cx-20t-15B(-SC)
25 t	C3 & C4	BM14C-Cx-25t-15B(-SC)
30 t	C3 & C4	BM14C-Cx-30t-xxB <sup>1</sup> (-SC)
40 t	C3 & C4	BM14C-Cx-40t-xxB <sup>1</sup> (-SC)
50 t	C3 & C4	BM14C-Cx-50t-xxB <sup>1</sup> (-SC)



- Stainless steel IP68 compression load cell
- Protection against lightning surge arrestors
- Suitable for vehicle and hopper scales and vehicle testing facilities
- Hermetically closed
- High accuracy

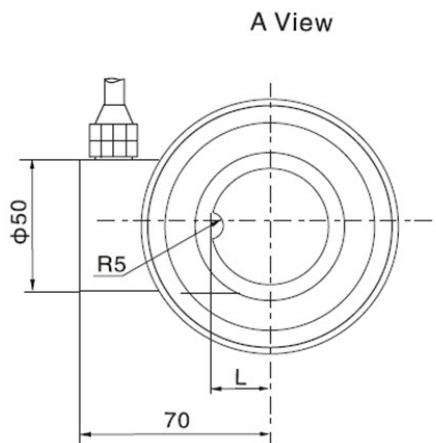
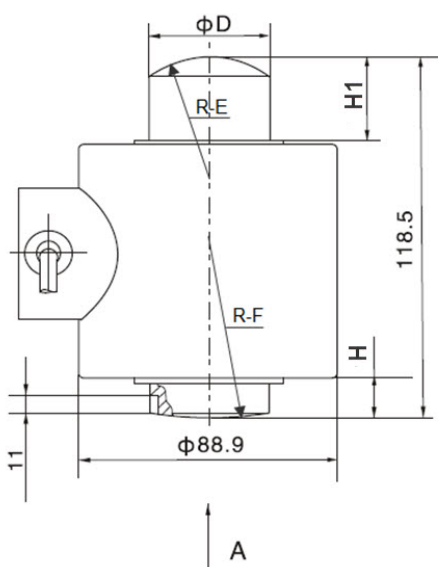


## Specification:

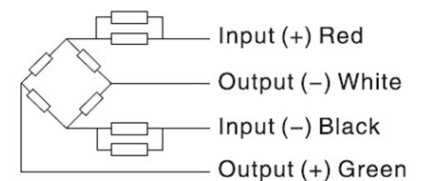
Accuracy class		C3	OIML R60 C3	OIML R60 C4
Output sensitivity ( = FS )	mV/V		2.0 ± 0.02	
Maximum capacity ( E <sub>max</sub> )	t	0,5, 1, 2, 3, 5	10, 20, 25, 30, 40, 50	
Maximum number of load cell intervals ( n <sub>LC</sub> )			3000	4000
Ratio of minimum LC verification interval Y = E <sub>max</sub> / v <sub>min</sub>			10000	15000
Combined Error	%FS		≤ ± 0.023	≤ ± 0.0174
Minimum dead load	t		0	
Safe overload	of E <sub>max</sub>		150 %	
Ultimate overload	of E <sub>max</sub>		300 %	
Zero balance	of FS		≤ ± 1.0 %	
Excitation, recommended voltage	V		5 ~ 12	
Excitation maximum	V		18	
Terminal resistance, input	Ω		700 ± 7	
Terminal resistance, output	Ω		703 ± 4	
Insulation impedance	MΩ		≥ 5000 ( at 50VDC )	
Temperature range, compensated	°C		-10 ~ +40	
Temperature range, operating	°C		-35 ~ +65	
Element material			Stainless steel	
Ingress Protection (according to EN 60529)			IP68	
ATEX classification (optional)		II1G Ex ia II1C T4	II1D Ex iaD 20 T73°C	II3G nL IIC T4

Note 1: C3 cable length is 15 meter; C4 for 30t and above cable length is 18 meter. Note 2: Not OIML approved

## Outline Dimensions in mm



Capacity Dimension	0.5t – 30t	40t – 50t
ØD	40	50
L	22	27
R-E	37.5	200
R-F	150	200
H	14	21
H1	31.5	24.5



**Wiring:**  
 - Shielded, 4 conductor cable, 5mm diameter.  
 - Standard cable length is 15m.  
 - Different cable type and cable length is available on customer request.  
 - Shield is not connected to element.

Please visit our website [WWW.ZEMIC.NL](http://WWW.ZEMIC.NL) for the most actual information.

Nr. 2012.02 BM14C Rev3